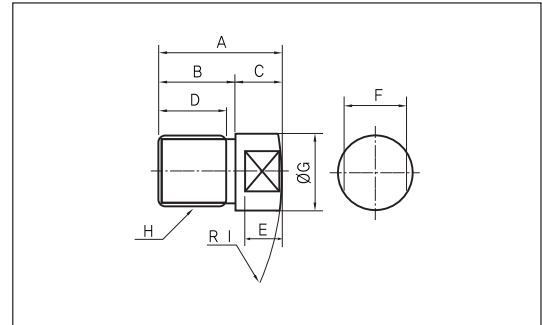


# LOAD CELL ACCESSORY

## LOAD BUTTON

Unit:mm

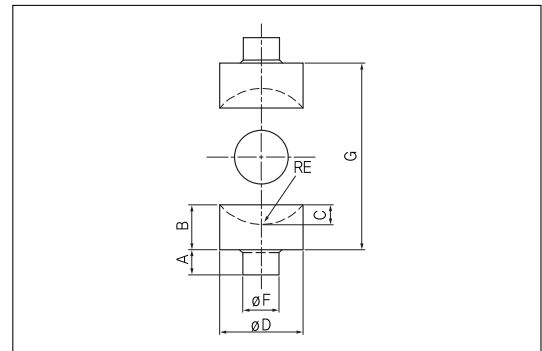
Model	Load Cell Cap	A	B	C	D	E	F	G	H	I
CXB-1	CX-50K~1T	19	10	9	7	6.7	16	24	M12×1.25	65
CXB-2	CX-2T~5T	43	23	20	19	18	32	42	M24×2	60
ULB-1	UL-1T~5T	60	40	20	36	20	27	34	M18×1.5	100
ULB-2	UL-10T	70	40	30	36	30	36	39	M24×2.0	100
ULB-3	UL-20T	100	60	40	56	40	50	59	M39×2.0	200
ULB-4	UL-50T	105	60	45	56	45	65	80	M50×2	200
ULB-5	UL-100T	145	80	65	75	65	105	116	M76×3	240
ULB-6	UL-500K	27	15	12	13	9	14	20	M12×1.25	65



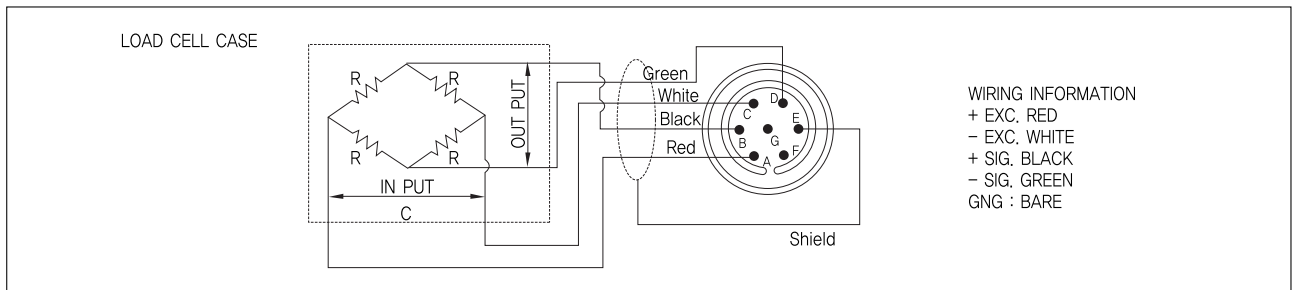
## MOVEMENT ABSORBER UNIT FOR CP

Unit:mm

Model	Load Cell Cap	A	B	C	∅D	RE	∅F	Ball
CPB11	5kgf~300kgf	11	16	7	30	19.5	11.4	∅19
CPB13	500kgf~2tf	11	16	7	30	19.5	13.4	∅19
CPB18	3tf~5tf	11	20	10	40	24.0	18.0	∅25.4
CPB26	10tf	15	27	12	60	40.0	26.0	∅38.1



## CONNECTION OF CONNECTOR WITH BRIDGE



## CONVERSION TABLE

Unit:mm

- LOAD 1kgf=9.80665N
- Pressure 1kgf/cm<sup>2</sup>=98066.55Pa≐98.07KPa
- Torque 1kgf · m=9.80665N · m

Model	Allowable Maximum Platform Size
CB1A, CB1-1, 2, 3k	200×200
CB6, CB1-5k~50k	300×300
CB1-150g~600g	∅80
CB5, CB2-50k~300k	400×600
CB4-300k, 500k	450×650

## SI UNIT

• Icn = 1,02g = 0,01N • Idan = 1,02kg = 10N

Unit:mm

kgf	N	kgf	kN	tf	kN	tf	kN	tf	MN
1	9.81	100	0.981	1	9.81	30	294	150	1.47
2	19.6	200	1.96	2	19.6	50	490	200	1.96
5	49.0	500	4.90	3	29.4	100	981	300	2.94
10	98.1			5	49.0			500	4.90
20	196			10	98.1			1000	9.81
50	490			20	196				

★Specifications are subject to change without notice.