

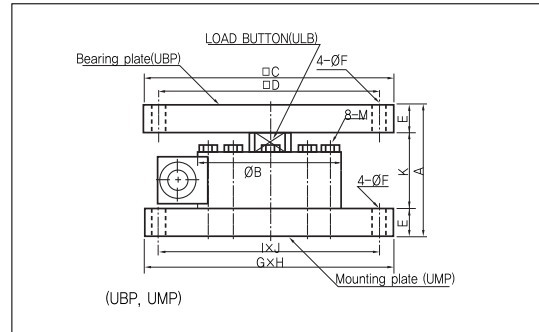
# LOAD CELL ACCESSORY

## BEARING & MOUNTING PLATE

### > LOW PROFILE TYPE(UL)

Unit:mm

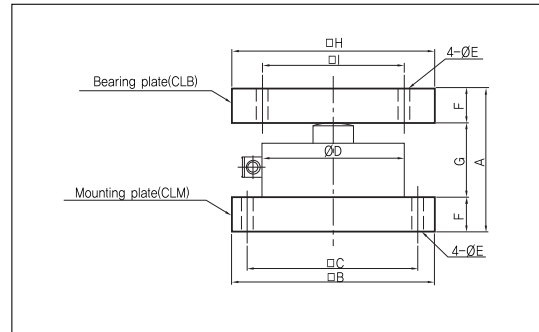
Model	Load Cell Cap	A	B	C	D	E	F	G	H	I	J	M	K
UBP-5 UMP-5	UL-500K	67	88	100	80	15	9	100	100	80	80	6-M6	37
UBP-1 UMP-1	UL-1T~5T	112	118	130	105	23	12	210	130	185	105	8-M8	66
UBP-2 UMP-2	UL-10T	155	180	200	150	30	14	210	200	160	160	8-M12	95
	UL-20T	165	180	200	150	30	14	210	200	160	160	8-M12	105
UBP-3 UMP-3	UL-50T	265	226	260	200	60	23	260	260	200	200	12-M16	145
UBP-4 UMP-4	UL-100T	315	306	360	280	60	27	360	360	280	280	16-M20	195



### > LOW PROFILE TYPE(CL)

Unit:mm

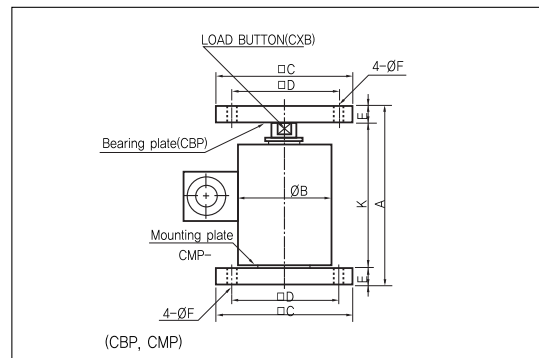
Model	Load Cell Cap	A	B	C	D	E	F	G	H	I
CLB-1 CLM-1	CL-1T~5T	96	150	120	98	9	25	46	150	120
CLB-2 CLM-2	CL-10T	125	160	130	118	12	30	65	160	130
CLB-3 CLM-3	CL-20T	125	190	150	157	14	30	65	180	150
CLB-4 CLM-4	CL-50T	165	230	170	187	23	45	75	220	190
CLB-5 CLM-5	CL-100T	240	320	250	278	27	60	120	310	270



### > CANISTER TYPE(CX)

Unit:mm

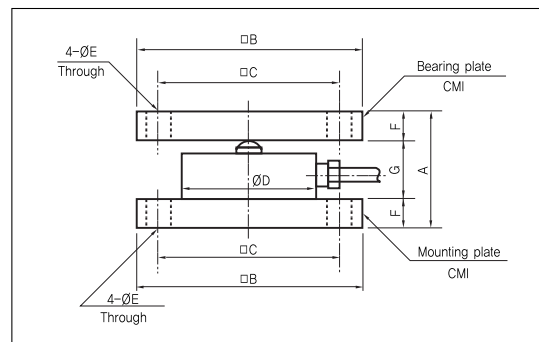
Model	Load Cell Cap	A	B	C	D	E	F	K
CPB-1 CMP-1	CX-50K~CX-1T	162	88	145	110	23	12	434
CPB-2 CMP-2	CX-2T~CX-5T	222	88	145	110	26	12	170
CPB-3 CMP-3	CX-10T	187	93	160	125	30	14	127
	CX-20T~30T	207	93	160	125	30	14	147
CPB-4 CMP-4	CX-50T	245	137	160	125	40	19	165
CPB-5 CMP-5	CX-100T	330	166	260	200	60	23	210



### > CM TYPE

Unit:mm

Model	Load Cell Cap	A	B	C	D	E	F	G
CMI-1	CM-50K~2T	56	100	78	51	8	15	26
CMI-2	CM-5T	102	160	126	88	14	30	42
	CM-10T	107	160	126	88	14	30	47
CMI-3	CM-20T	110	160	126	114	14	30	50



★Specifications are subject to change without notice.