

EXPLOSION PROOF INDICATOR / SUMMING BOX

> Model DN-EXP520

- Explosion Proof Indicator
- RELAY OUTPUT MODE: LIMIT, PACKER, CHECKER
- WATCH-DOG circuitry
- Improved A/D Conversion speed :Max. 200times
- Fueling stations, liquid or gaseous
- Applications: Chemical plants (Packer/ Checker) Fertilizer plants
- Classification code : Ex d II B T6 Degree



> SPECIFICATIONS

| Specifications | Accuracy |
|------------------------------|--|
| Input Sensitivity | 0.2 μ V / Digit |
| Load Cell Excitation | DC 10V (- 5V ~ + 5V) |
| Max. Signal Input Voltage | Max.32mV |
| Temperature Coefficient | [Zero] \pm 20PPM/ $^{\circ}$ C [Span] \pm 20PPM/ $^{\circ}$ C |
| Input Noise | \pm 0.6 μ V P.P |
| Input Impedance | Over 10M Ω |
| A/D Conversion Method | Sigma-Delta |
| A/D Resolution(Internal) | 520,000 Count(19bit) |
| A/D Sampling Rate | Max. 200times / Sec |
| Non-Linearity | 0.01% FS |
| Display Resolution(External) | 1/20,000 |

Option

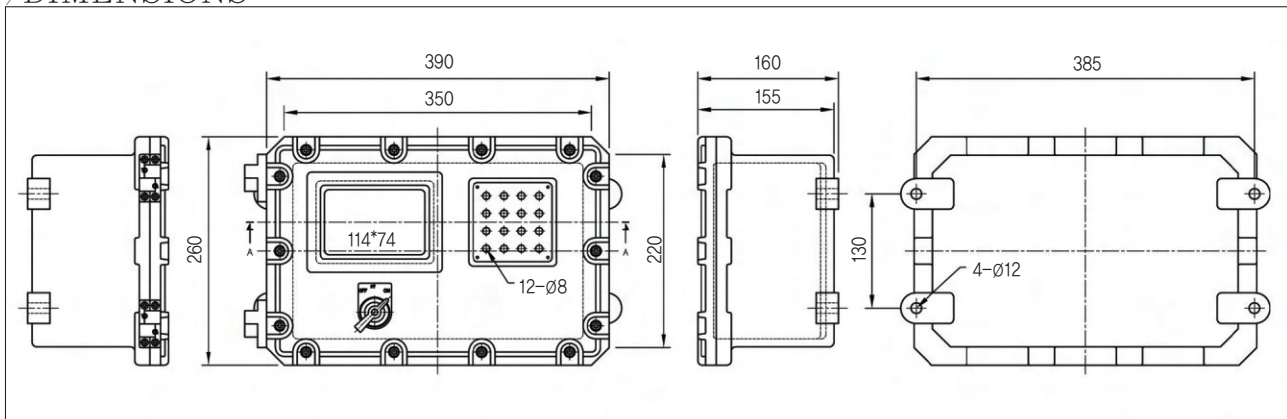
- ① Analog Out-put (V-out) : 0~10V, 0~5V
 - ② Analog Out-put (I-out) : 4~20mA
 - ③ Serial I / F : RS-422, RS-485
 - ④ BCD In-put
 - ⑤ BCD In-out
- * RS3232C and Current loop : Standard Installed

> RELAY MODE

| Model | Out1 | Out2 | Out3 | Out4 | Out5 | Out6 |
|-------------------------|------|---------|---------|---------|----------|------|
| Limit ("A" Dry) | SP1 | SP2 | SP3 | SP4 | Finish | Zero |
| Packer ("B" Dry) | SP1 | SP2 | SP3 | SP4 | Finish | Zero |
| Checker 1 (Stable mode) | Low | High | OK | Low N.G | High N.G | Zero |
| Checker 2 (Range mode) | SP1 | SP1<SP2 | SP2<SP3 | SP3<SP4 | SP4< | Zero |

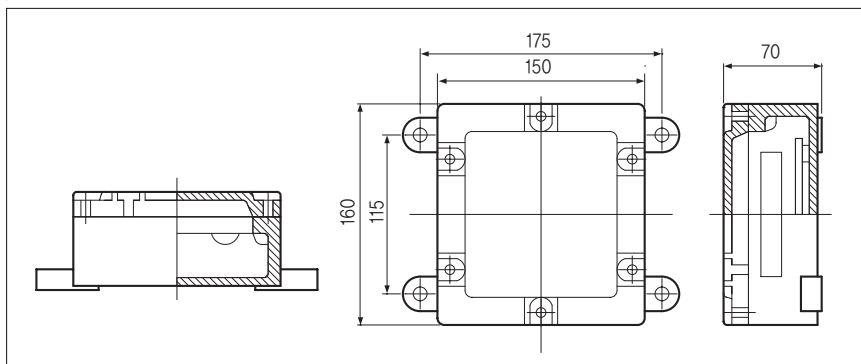
> DIMENSIONS

unit:mm



> Model EXP-SB4P

> DIMENSIONS



*Specifications are subject to change without notice.