

SUMMING BOX

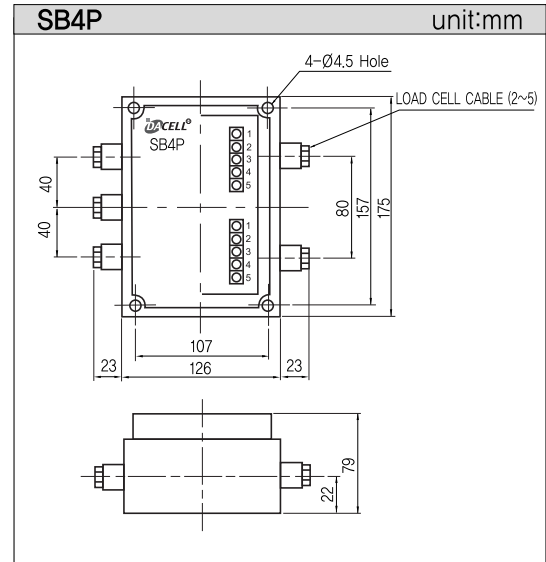
SUMMING BOX

>Model SB4P

Load cell 2 to 4 single cell
 Trimming - Individual cell,
 excitation trim 0~20 ohms
 Potentiometers - 20 ohms,
 20-turn cerment 100ppm
 Cable Fitting - input $\varnothing 5 \sim \varnothing 8$
 output $\varnothing 5 \sim \varnothing 10$
 Enclosure - ABS(Acrylnitrile Butadiene Styrene) cast, IP67



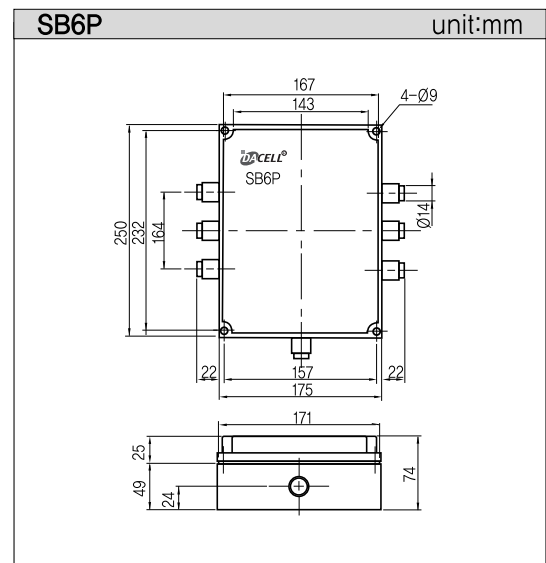
>DIMENSIONS



SUMMING BOX

>Model SB6P

Load cell 2 to 6 single cell
 Trimming - Individual cell,
 excitation trim 0~20 ohms
 Potentiometers - 20 ohms,
 20-turn cerment 100ppm
 Cable Fitting - input $\varnothing 5 \sim \varnothing 10$
 output $\varnothing 5, \varnothing 9 \sim \varnothing 12$
 Enclosure - ABS(Acrylnitrile Butadiene Styrene) cast, IP67

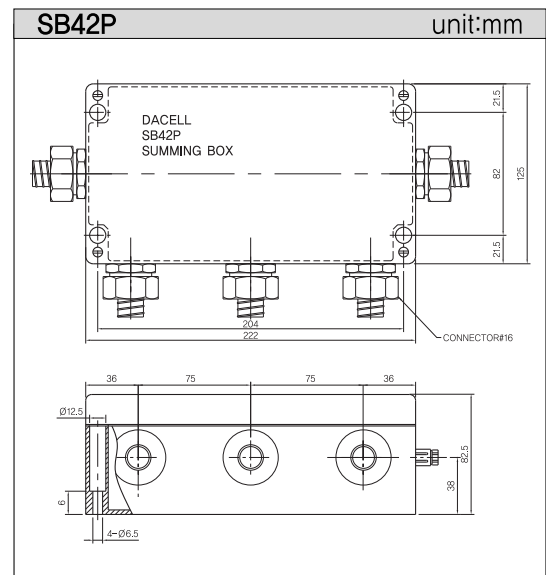


SUMMING BOX

>Model SB42P

- 4L : 4 loadcells
- 6L : 6 loadcells

Loadcell 2 to 4 single cells
 Trimming - Individual cell,
 excitation trim 0~20 ohms
 Potentiometers - 20 ohms,
 20-turn cerment 100ppm
 Cable Fittings - $\varnothing 5 \sim \varnothing 10$
 Enclosure - Aluminium die-cast, IP67



★Specifications are subject to change without notice.