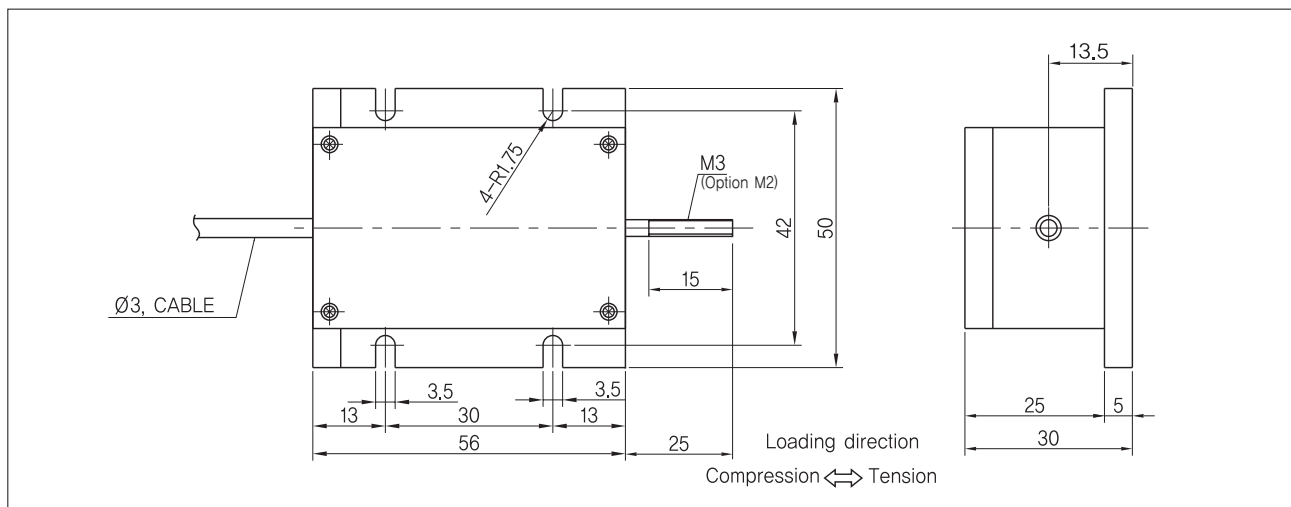
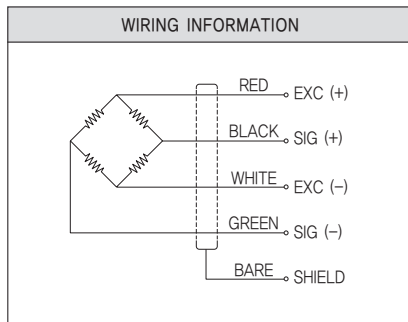
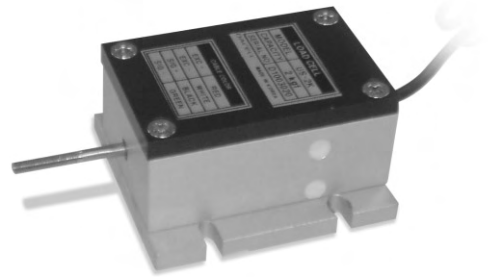


UNIVERSAL BENDING BEAM LOAD CELL

> Model US

A low capacity, universal, bending beam load cell. The US is excellent when small force measurements are required.

A push-pull type.



> SPECIFICATIONS

Specifications	Accuracy
Rated capacity	5N(500 gf) to 19,61 N(2 kgf)
Safe overload	150% R.C.
Rated output	1.2 ~ 1.5mV/V
Non-linearity	0.2% R.O.
Hysteresis	0.2% R.O.
Repeatability	0.2% R.O.
Excitation, recommended	5V
Zero balance	±0.2mV/V
Input resistance	350 ohm ± 40 ohm
Output resistance	350 ohm ± 40 ohm
Insulation resistance	1000M-ohm or more (DC 50V)
Temperature range, compensated	0°C to 50°C
Temperature range, safe	-10°C to 60°C
Temperature effect, on zero balance	0.5% R.O/10°C
Temperature effect, on output	0.5% LOAD/10°C
Cable	Ø3.4core shield cable, 3m

★Specifications are subject to change without notice.