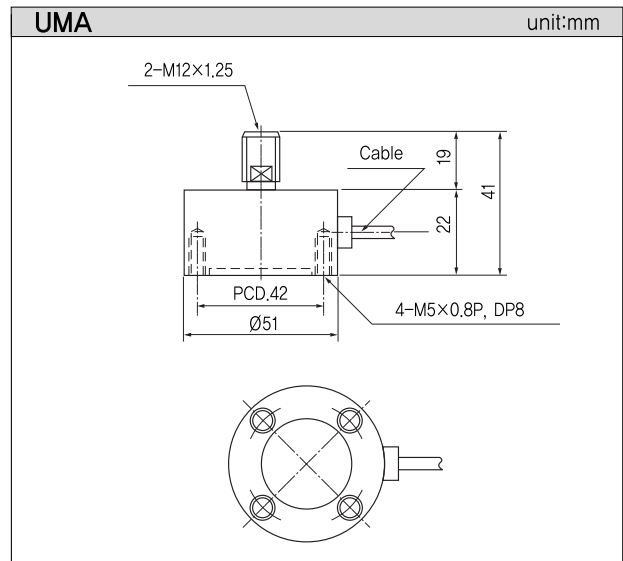
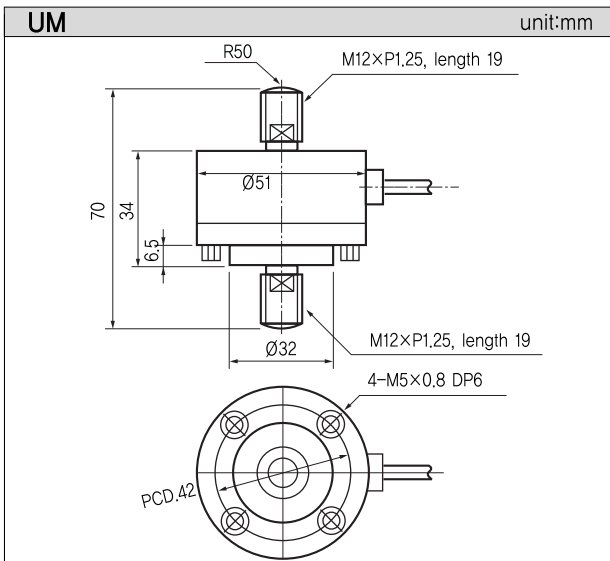
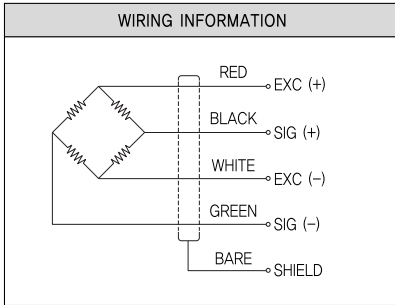
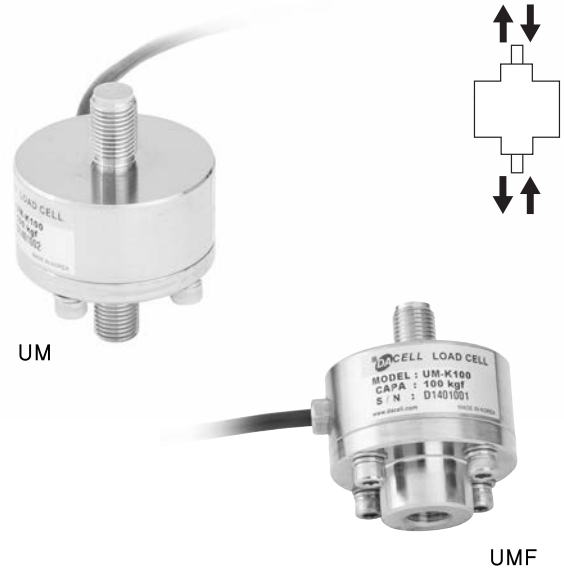


Miniature Compression & Tension Load Cell

>Model UM, UMA, UMF

Compression or Tension load cell.
These load cells are extremely small and lightweight.
Protection Class IP66



>SPECIFICATIONS

| Specifications | Accuracy |
|------------------------------------|-------------------------------------------------------------------------------------------------|
| Rated capacity(R.C.) | 50kgf, 100kgf, 200kgf, 500kgf, 1tf, 2tf (490.3N, 980.7N, 1.961kN, 4.903kN, 9.807kN, 19.61kN) |
| Rated output(R.O.) | 2mV/V±0.4% |
| Nonlinearity | 0.15% of R.O. |
| Hysteresis | 0.1% of R.O. |
| Repeatability | 0.05% of R.O. |
| Zero balance | ±2% of R.O. |
| Temperature effect on rated output | 0.1% of LOAD/10°C |
| Temperature effect on zero balance | 0.05% of R.O./10°C |
| Temperature range, compensated | -10~70°C |
| Temperature range, safe | -10~80°C |
| Terminal resistance, input | 350±50Ω |
| Terminal resistance, output | 350±2Ω |
| Insulation resistance bridge/case | 2000MΩ |
| Excitation recommended | 10V |
| Safe overload | 150% R.C. |
| Cable length | Ø5mm 4core, 3m |

★Specifications are subject to change without notice.

