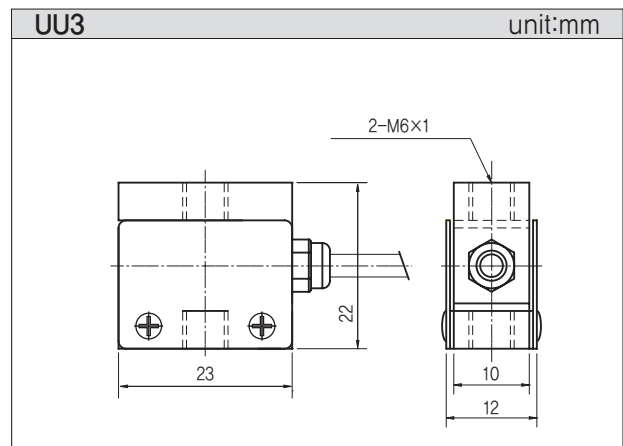
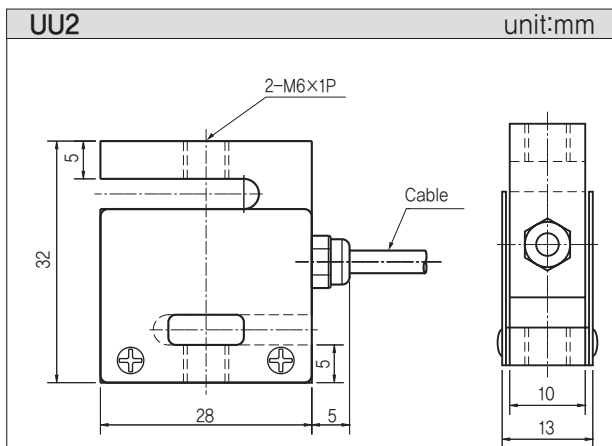
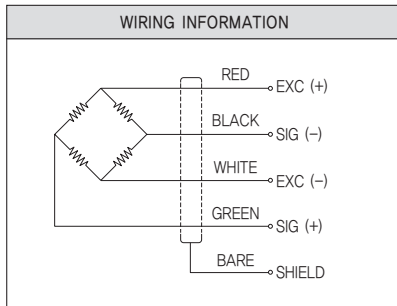
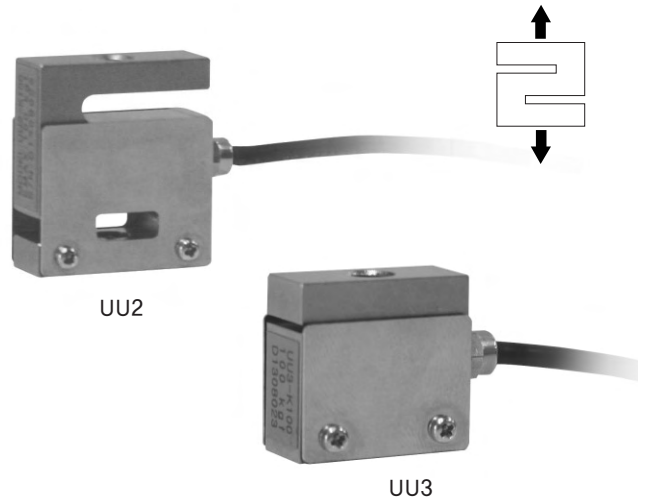


UNIVERSAL LOAD CELL

> Model UU2, UU3

Compact size.
These are extremely accurate and compact Ten-
sion/Compression load cell.
Protection Class IP65



> SPECIFICATIONS

Specifications	Accuracy	
	UU2	UU3
Rated capacity(R.C.)	10kgf, 20kgf, 30kgf, 50kgf, 100kgf	5kgf, 10kgf, 20kgf, 50kgf, 100kgf
Rated output(R.O.)	2mV/V±2%	2mV/V±1%
Nonlinearity	0.05% of R.O.	0.05% of R.O.
Hysteresis	0.05% of R.O.	0.05% of R.O.
Repeatability	0.03% of R.O.	0.05% of R.O.
Zero balance	±1% of R.O.	±2% of R.O.
Temperature effect, on rated output	±0.03% of LOAD/10°C	0.05% of LOAD/10°C
Temperature effect, on zero balance	±0.03% of R.O./10°C	0.1% of R.O./10°C
Temperature range, compensated	-10°C~60°C	-10~60°C
Temperature range, safe	-20~80°C	-20~80°C
Terminal resistance input	350±80Ω	350±80Ω
Terminal resistance output	350±2Ω	350±2Ω
Insulation resistance bridge/case	2000MΩ	2000MΩ
Excitation recommended	10V	10V
Safe overload	150% R.C.	150% R.C.
Cable length	∅3mm 4core, 1m	∅3mm 4core, 90m
Material	10~30kgf : Aluminum/50~100kgf Steel	5~20kgf : Aluminum/50~100kgf Steel

★Specifications are subject to change without notice.