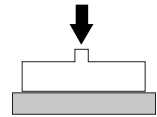


Miniature Compression Load Cell

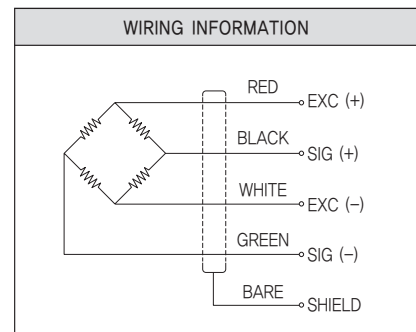
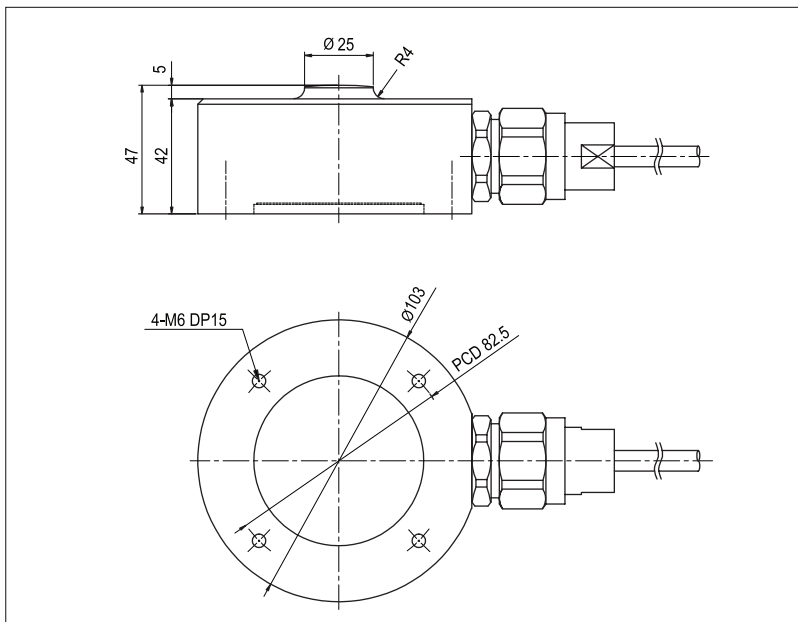
> Model CM96

- Compression Load Cell.
- Low profile & Robust design
- KOSHA of the certified explosion-proof type load cell.
Classification code : Ex d IIB T4.



DIMENSIONS

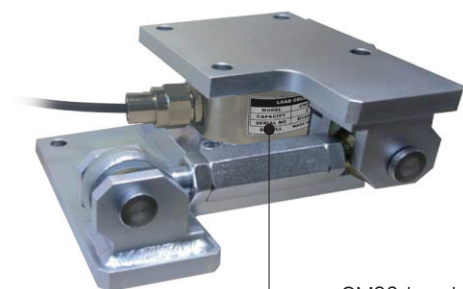
unit:mm



SPECIFICATIONS

Specifications	Accuracy
Rated capacity(R.C.)	2tf, 3tf, 5tf, 10tf, 15tf, 20tf
Rated output(R.O.)	2mV/V \pm 0.25%
Nonlinearity	0.05% of R.O.
Hysteresis	0.05% of R.O.
Repeatability	0.02% of R.O.
Zero balance	\pm 2% of R.O.
Temperature effect, on rated output	0.03% of LOAD/10°C
Temperature effect, on zero balance	0.03% of R.O./10°C
Temperature range, compensated	-10~+50°C
Temperature range, safe	-10~+80°C
Terminal resistance input	700 \pm 20 Ω
Terminal resistance output	700 \pm 10 Ω
Insulation resistance bridge/case	2000M Ω
Excitation recommended	10V
Safe overload	150% R.C.
Cable length	\varnothing 5mm 4core, 3m

> Mounting Kit (CMI-96)



CM96 Load cell