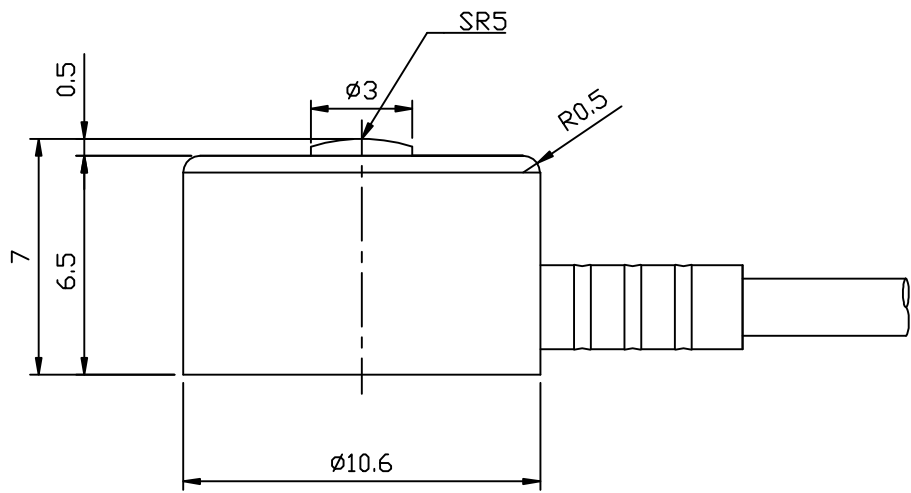


NO	DATE	ZONE	REVISION	CO'T	SIGN
△					



SPECIFICATION	
MODEL	CMM111-K100
RATED CAPACITY (R.C.)	100kfg
RATED OUTPUT (R.O.)	more than 0.5mV/V
NON-LINEARITY	1.0% R.O.
HYSTERESIS	1.0% R.O.
REPEATABILITY	1.0% R.O.
ZERO BALANCE	$\pm 1\%$ R.O.
TEMP. RANGE COMPENSATED	0°C~50°C
SAFE TEMPERATURE RANGE	-10°C~60°C
TEMP. EFFECT ON RATED OUTPUT	0.1%LOAD/10°C
TEMP. EFFECT ON ZERO BALANCE	0.1%R.O./10°C
RESISTANCE, INPUT	350 Ohm \pm 10
RESISTANCE, OUTPUT	350 Ohm \pm 10
INSULATION RESISTANCE BRIDGE TO GROUND	2000M Ω
ELECTRICAL CONNECTION	$\phi 1.5$ mm x 4C x2m
EXC. RECOMMENDED	5V
SAFE OVERLOAD	150% R.C.

LOAD CELL		SUS630	1		
NO	DESCRIPTION	MATERIAL	HEART TREAT	Q'TY	REMARK
CHAMFER		SCALE 1 : 1	ANGLE 1st 3rd	DESCRIPTION	
<input type="checkbox"/> C 0.1	<input type="checkbox"/> C 0.3	DRAWN BY	PLANNED BY	CHECKED BY	APPROVED BY
<input checked="" type="checkbox"/> C 0.5	<input type="checkbox"/> C 1	JJS			
TOLERANCE LIMITS		2020.03.06	LOAD CELL		
<input checked="" type="checkbox"/> MM	<input type="checkbox"/> INCH	MODEL		ORDER.	
0. ± 0.1	0.0 ± 0.04	CMM111-K100		ORDER DWG. NO	
0.0 ± 0.05	0.00 ± 0.02	MAKER DWG. NO		SHEET	
0.00 ± 0.01	0.000 ± 0.004	CMM111-1A-K100			
0.000 ± 0.002	0.0000 ± 0.0002	DACELL			
		TEL 043-260-2242			
		www.dacell.com			