

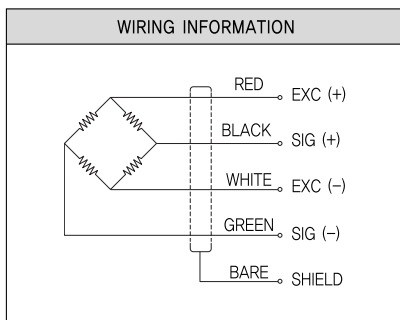
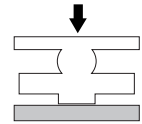
Truck Scale Load Cell

>Model CTM

Capacity: 5tf, 10tf

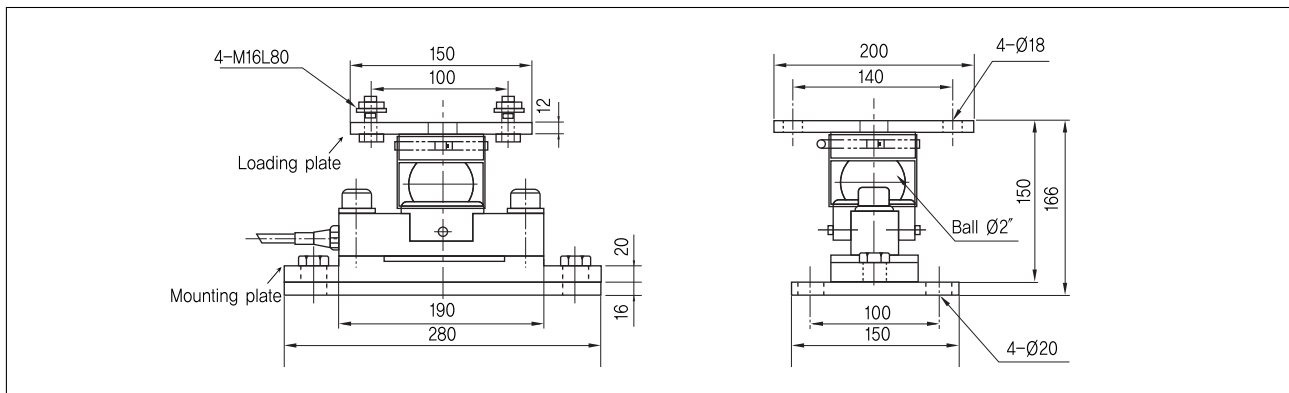
The Model CTM Double-Ended Shear Beam Load Cell is ideally suited for use in Truck Scales for heavy-duty, high-capacity weighing.

Protection Class IP67



ORDERING INFORMATION

CTM-T10-FS : Full sets - 18kg
CTM-T10-BC : Loadcell, Ball, Cup and Cap - 9kg
CTM-T10-LC : Only Loadcell - 7kg



>SPECIFICATIONS

Specifications	Accuracy
Rated capacity(R.C)	10tf (98.07kN)
Rated output(R.O)	2mV/V±0.2%
Nonlinearity	0.03% of R.O.
Hysteresis	0.02% of R.O.
Repeatability	0.02% of R.O.
Creep(30min)	0.025% of R.O.
Zero balance	±2% of R.O.
Temperature effect on rated output	0.02% of LOAD/10°C
Temperature effect on zero balance	0.03% of R.O./10°C
Temperature range, compensated	-10~+70°C
Temperature range, safe	-20~+80°C
Terminal resistance, input	800±30Ω
Terminal resistance, output	700±2Ω
Insulation resistance bridge/case	2000MΩ
Excitation recommended	10V
Safe overload	150% R.C.
Cable length	Ø7±0.3mm 4core, 10m

★Specifications are subject to change without notice.