

POCKET INDICATOR

REMOTE DISPLAY



> Model DN120

The DN-120 has designed specifically to operate with strain gauge sensors such as Fast - measurement of Load cell, Pressure Transducer, LVDT, etc. The setup sequence is simple and quick using four push buttons only. Quick sampling speed (100 times/sec).

- Simple outdoor using in use of battery.
- Using rechargeable battery.
- High resolving power(16bit A/D)
- High precision(more than 0.012% F,S) and stability.
- Quick sampling speed (100 times/sec)
- Peak hold function
- Comparison function(hi, low) ; open collector output
- Calibration of actual load and sensor output value
- Auto zero function
- Cutting size:92×92mm - Weight:about 500g

■Others

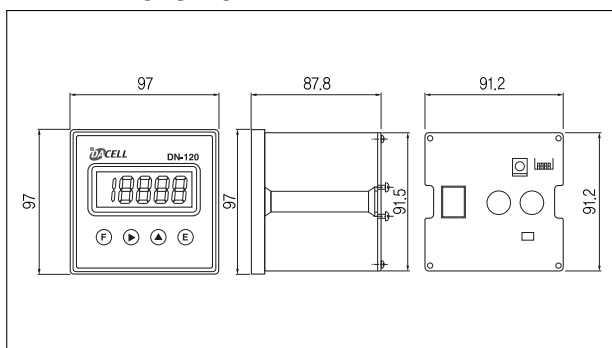
- Option : RS232C(OP-02), RS485(OP-03).

> SPECIFICATIONS

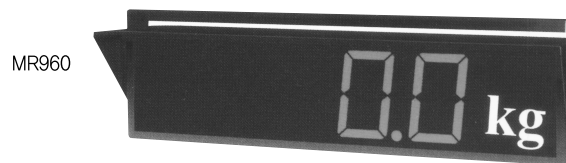
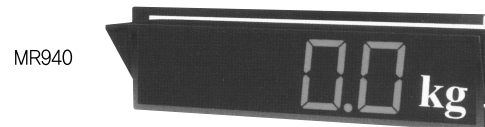
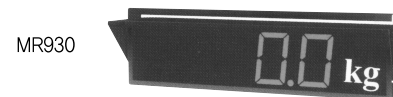
Specifications	Accuracy
Applicatin sensor	Strain gauge sensor (350Ω or 120Ω)
Sensor adjustment range	DC 5V
Zero adjustment range	100% F - S(Auto Zero)
Input signal	0 ~ 3mV/V
Display	±19999
Display speed	Approx 30times/sec(Adjustment available by buff setting)
Character height	7Segment 15mm
Decimal point	Random setting available
Sampling speed	Max 100 times/sec
Zero variation	within 0.01%/°C(1mV/V)
Sensitivity variation	within 0.01%/°C
Usage temperature range	-10°C ~ 60°C
Humidity	less than 80% RH(no dew condensation)
Power source used	DC 7.2V Recharging battery DC 12V Adapter

> DIMENSIONS

unit:mm



> Large Display Series



- High brightness FND
- Easy to check the weight from far distance
- Wall mounting type
- Uniform brightness and Wide angle viewing

> SPECIFICATIONS

Model	MR900	MR930	MR940	MR960
Digits	5 DIGIT (99999)			
Size of digit(mm)	33(W) X 75(H)	43(W) X 76(H)	60(W) X 100(H)	87(W) X 150(H)
Size(inch)	2.3	3	4	6
Display	7 Segment high brightness FND			
Interface	RS-232C & CURRENT LOOP			
Dimensions	360(W) X 150(D) X 120(H)	500(W) X 155(D) X 155(H)	700(W) X 210(D) X 180(H)	850(W) X 205(D) X 205(H)
Weight(kg)	About 3.6	About 5.3	About 11.6	About 15.2
Power	AC 85 ~ 264V	AC 85 ~ 264C	AC 85 ~ 264V	AC 110 ~ 220V

★Specifications are subject to change without notice.