

# Total Indicator (3 ~ 4ch)

## >Model DN330, DN340

Digital indicator that displays the individual outputs and sum of the outputs of the four load cells. Suitable for high weight hopper, tank scale. Each load cell can be individually calibrated via the DSC40 and indicators.

- Watch dog
- Display part and analogue zero by auto zero(DAC)
- Relay output : Hi, Low, NG, OK.
- Analog out(DAC)
- DN330 : 3CH indicator DN340 : 4 CH indicator

### ■Option

- OP-01 : BCD paralle out
- OP-02 : RS232C serial interface (Standard installed)
- OP-03 : RS485 Multi drop interface



DN340



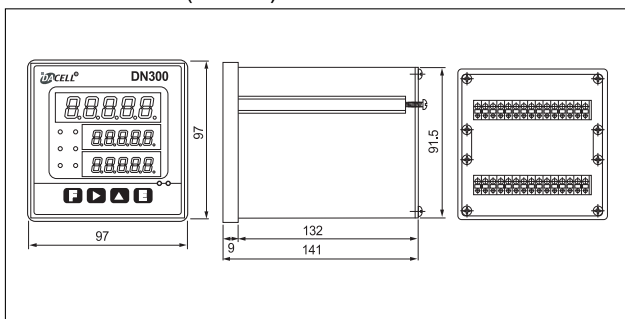
DSC40  
(Digital Conditioner)

## >SPECIFICATIONS

Specifications	Model	
	DN-340	DSC40
Signal	-	1 ~ 3mV/V
Analog OUT	DC 0~10V (4 ~ 20mA option)	-
Excitation	-	DC 5V
Data Scan Time	30ms/ch x 4ch = 120ms	-
Available Sensors	-	Strain gauge sensor (0.5~3mV/V)
Display range	Individual display : -1999 ~ +9999 Sum display : -19999 ~ +99999	-
A/D Converter	-	24 bit
D/A Converter	16 bit	-
Temperature-drift	Zero	-
	Span	-
Measurement display	Individual : 7 segment LED 8mm	-
	Sum : 7 segment LED 14mm	-
Status LED	Red LED 6 ea	-
Key switch	4 EA	-
Comparison Output	Upper limit (HI), lower limit (LO), normal (OK) Output (4 Relay)	-
Contact Capacity	AC 250V 5A	-
Temperature	-10°C ~ 60, 80% RH or less (no condensation)	-10°C ~ 60, 80% RH or less (no condensation)
Weight	About 600g	About 350g
Power supply	AC 90 ~ 240V 50/60Hz	DC 8 ~ 12V, 2W
Cable grand	-	ø7mm cable grand 5ea
Option	RS485	-
Outer Diameter	97(W) × 97(D) × 141(H) mm	125(W) × 80(D) × 58(H) mm
Panel Cutting Size	92.5 × 92.5 mm	-

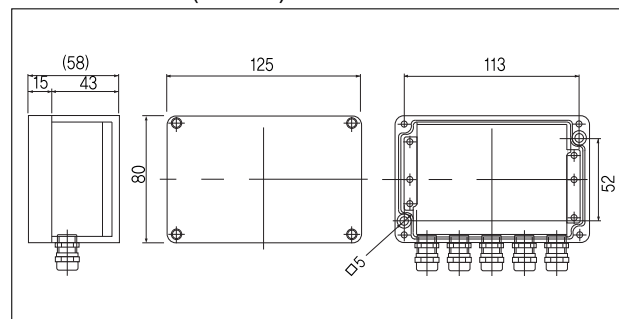
## >DIMENSIONS (DN340)

unit:mm



## >DIMENSIONS (DSC40)

unit:mm



★Specifications are subject to change without notice.