

AC DIGITAL INDICATOR

> Model DN1000A

The product, an indicator displaying micro-voltage signal in digital amplified from differential trans sensors, is used for fast-measurement of LVDT, brushless type torquemeter (Model TRC).

- High resolution (24bit ADC, 16bit DAC)
- High precision (more than 0.01% F.S) and stability
- Quick sampling speed (1000times/sec)
- UNIT CONVERSION : kg, N, lb, kg/cm², bar, MPa
- Display part and analogue zero by auto zero
- Watch dog
- Calibration of actual load and sensor output value
- Peak hold and Sample hold
- Relay output : Hi, Low, NG, OK.
- Analog out (DAC)



■ Option :

- OP-01 : BCD parallel out
- OP-02 : RS232C serial interface
- OP-03 : RS485 Multi drop interface

> SPECIFICATIONS

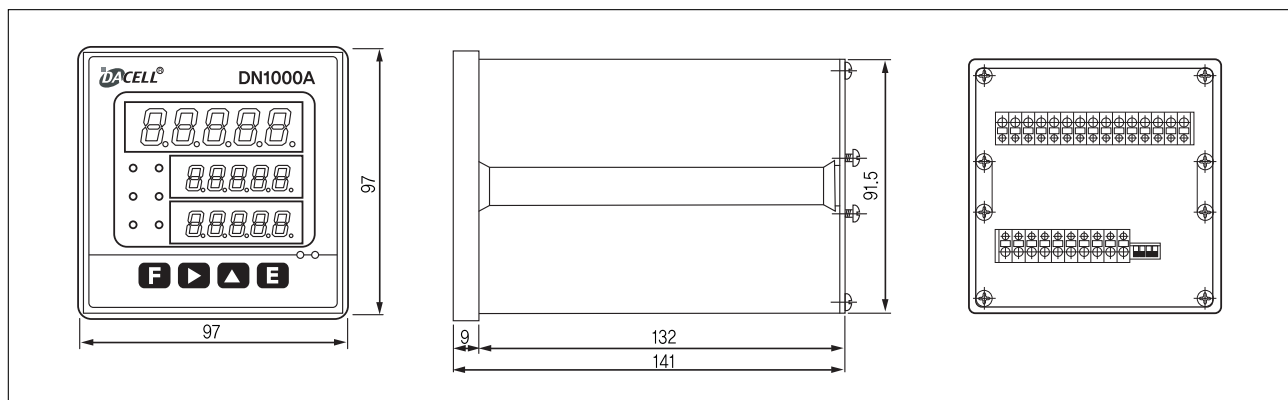
Specifications	Accuracy
Application converter	differential trans sensors (TRC)
Sensor authorized voltage	2Vrms/5kHz
Zero adjustment range	100% F.S (Auto Zero)
Signal input range	0 ~ 2mV/V
Display range	-19999 ~ +99999
Character height	7 segment LED 14mm & 10mm
AD converter	24bit 1000times/sec
D/A converter	16bit 1000times/sec
Zero variation	Within 0.5μV/°C
Sensitivity variation	Within 0.01%/°C
Analog output	0 ~ 10V (4 ~ 20mA : in accordance with customer request)
Contact capacity	AC 250V 5A
Relay life time	more than 5,000,000 thmes
Usage temperature range	-10°C ~ 60°C
Humidity	less than 80% RH (no dew condensation)
Power resource	AC 85 ~ 265V 50/60Hz
Dimension	97 × 97 × 141mm
Cutting size	92.5 × 92.5mm
Weight	1000g

Various functions

- ① Peak hold and Sample hold
- ② Relay output : Hi, Low, NG, OK.
- ③ Analog out (DAC)

> DIMENSIONS

unit:mm



★Specifications are subject to change without notice.