

# HIGH SPEED DIGITAL INDICATOR

## Model DN100, DN200

The DN-100 and DN200 have designed specifically to operate with strain gauge sensors such as Fast - measurement of Loadcell, Torquemeters, Pressure Transducer, LVDT, etc.,

- High resolution
- High precision and stability
- Quick sampling speed
- UNIT CONVERSION : kg, N, l b, kg/cm<sup>2</sup>, bar, MPa
- Display part and analogue zero by auto zero(DAC)
- Relay output : Hi, Low, NG, OK.
- Watch dog
- Calibration of actual load and sensor output value
- Peak & sample hold, Average hold
- DN100 : sampling speed : Appr. 5000Times Per Second
- DN200 : sampling speed : Appr. 1000Times Per Second

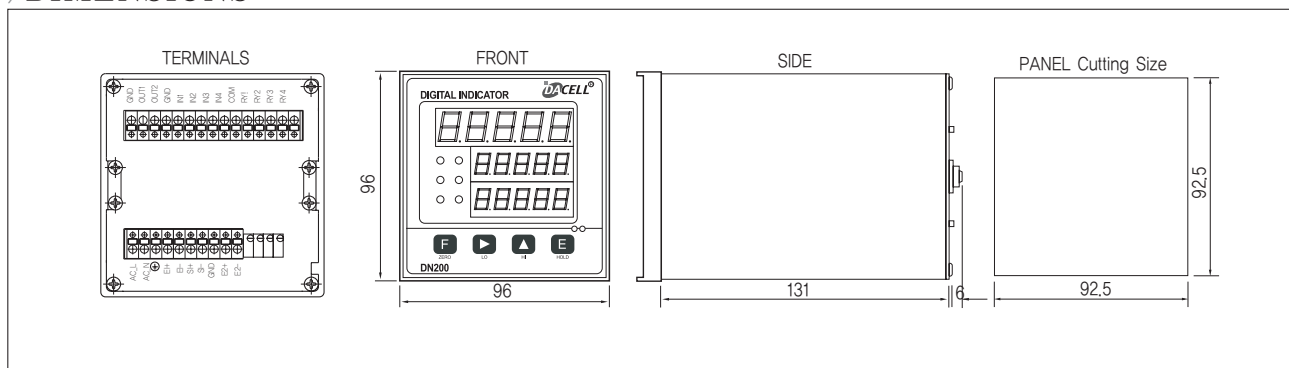


## SPECIFICATIONS

Specifications	Accuracy	
	DN100	DN200
Application sensor	Strain gauge sensors	
Sensor authorized voltage (the number of Loadcell connection)	DC 5V, Loadcell(350Ω) available 4	
Zero adjustment range	100%F · S (Auto Zero)	
Input signal	0.5~3mV/V	
Display	-19999~+99999	
Character height	7Segment 14mm & 10mm	
Decimal point	Random setting available	
A/D converter	16bit 5000 times/sec	24bit 1000 times/sec
D/A converter	16bit 1000 times/sec	16bit 1000 times/sec
Relay output	Contact capacity : AC250V 5A, Relay life time : more than 5,000,000 times	
Zero variation	Within 0.5μV/°C	
Sensitivity variation	Within 0.01%/°C	
Voltage output	DC 0 ~ 10V (4 ~ 20mA : in accordance with customer request)	
Usage temperature range	-10°C ~ 60°C	
Humidity	Less than 80% RH (no dew condensation)	
Power source used	AC 85 ~ 265V 50/60Hz	
Weight	1000g	
Option	OP-01 : BCD output OP-02 : RS232C serial interface OP-03 : RS485 Multi drop interface OP-04 : RS422 serial interface OP-06 : Power 24VDC	

## DIMENSIONS

unit:mm



★Specifications are subject to change without notice.