

# LINEAR POTENTIOMETER

# CABLE EXTENSION POSITION SENSOR



## > Model LPS

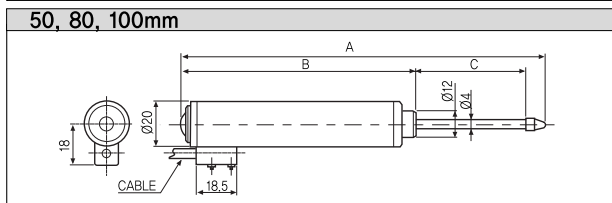
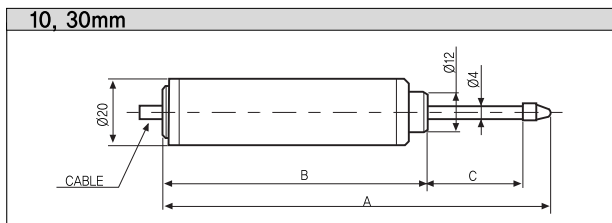
Model LPS is a compact style, easily handled strain meter. It is a DC output type and it outputs the ratio of input resistance and output voltage through changes of the interior volume resistance. It could be used for dynamic measurement as well as static measurement.

- As static measurement
- Superior repeatability
- High output
- Easy handling

## > SPECIFICATIONS

Specifications	Accuracy	
Rated capacity	10, 30, 50 mm	80, 100 mm
Non-linearity	± 0.2% R.O.	± 0.4% R.O.
Hysteresis	± 0.05% R.O.	± 0.1% R.O.
Non-repeatability	± 0.05% R.O.	± 0.1% R.O.
Total resistance (±20%)	2kΩ (stroke 5~10mm), 5kΩ (stroke 30~100mm)	
Temperature range compensated	-10°C ~ 70°C	
Temperature range safe	0°C ~ 60°C	
Excitation Voltage	10V DC	
Cable	Ø4 shield 2m	

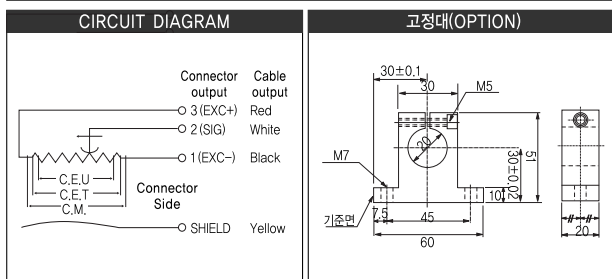
## > DIMENSIONS



## > DIMENSIONS TABLE

unit:mm

Stroke	A	B	C
10mm	77	57.5	Useful Stroke +1 / -0
30mm	117	77.5	
50mm	170	110.5	
80mm	251.5	162	
100mm	271.5	162	



## > Model CTP

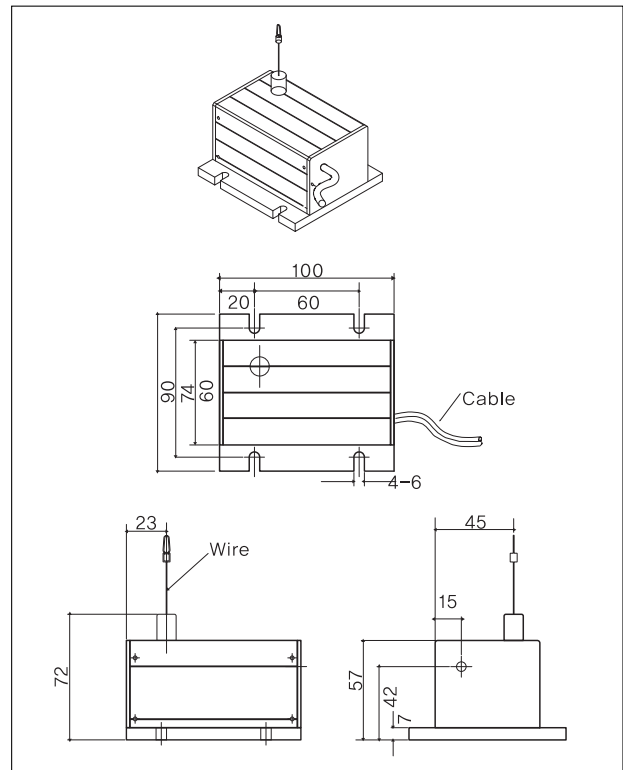
- Flight and crash test applications
- 360° 2-Axis mounting · potentiometer output

## > SPECIFICATIONS

Specifications	Accuracy
Full stroke Range	0.5, 1M
Output signal	voltage divider (Potentiometer)
Accuracy	±0.25% full stroke
Repeatability	±0.02% full stroke
Measuring cable	Ø0.45 stainless steel
Power supply	5V, 12V, 24V, DC +5 ~ +24V
Resistance range	100Ω ~ 100kΩ
Min.practical independent linearity	±0.15%, (300Ω, ±0.075%, ≥300Ω)
Dielectric strength	1,000V rms
Min.insulation resistance	1000MΩ
Maximun noise	100Ω
Max.end voltage	0.25% of input voltage

## > DIMENSIONS

unit:mm



★Specifications are subject to change without notice.