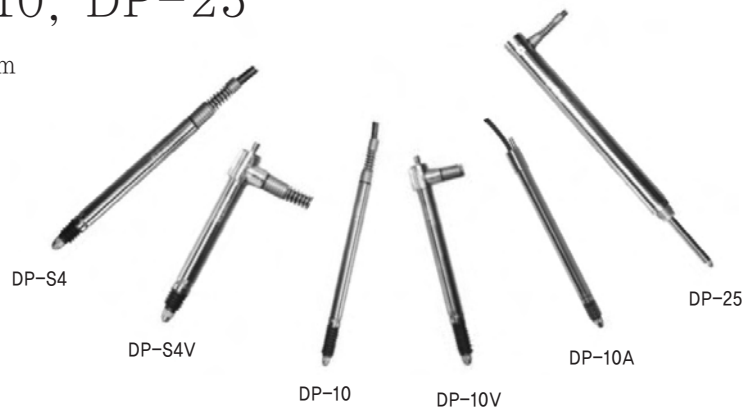


LVDT

> Model DP-S4, DP-10, DP-25

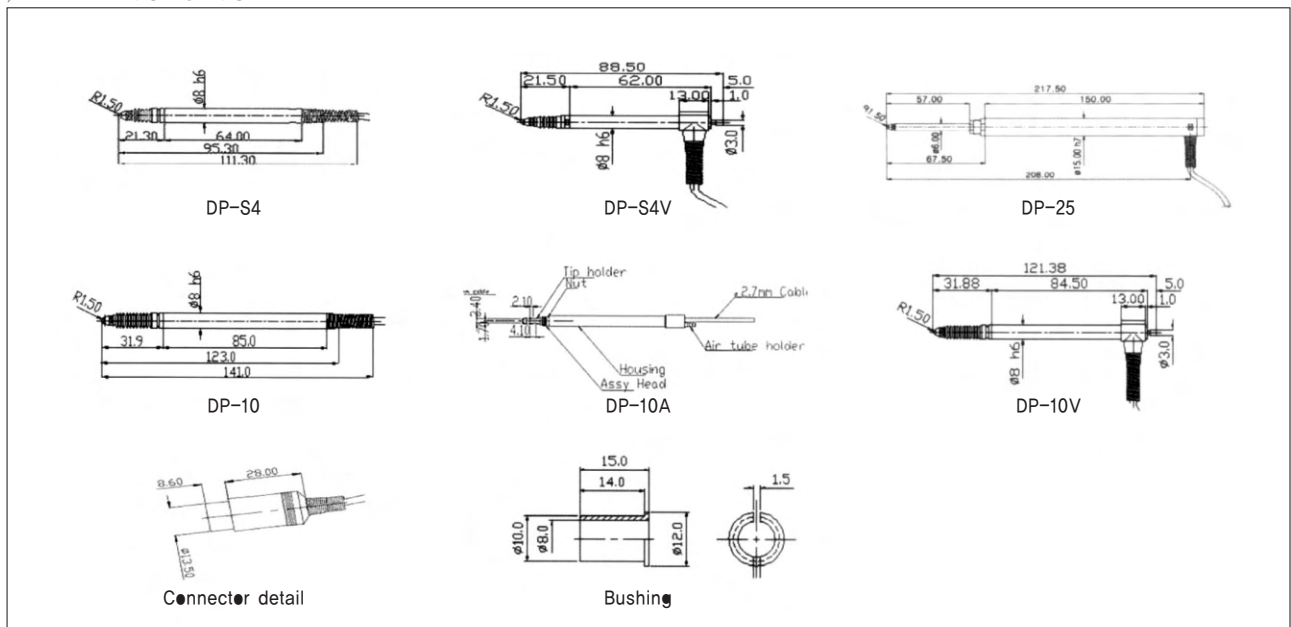
Various measuring range : $\pm 2\text{mm}$ to $\pm 12.5\text{mm}$
 Excellent resistance to workshop conditions
 High resolution & linearity



> SPECIFICATIONS

Model	DP-S4	DP-S4V	DP-10	DP-10V	DP-10A	DP-25
Plunger retraction	Standard	Vacuum	Standard	Vacuum	Pneumatic	Standard
Stroke range	4.95mm		10.45mm		26mm	
Measuring range	$\pm 2\text{mm}$		$\pm 4\text{mm}$		$\pm 12.5\text{mm}$	
Repeatability	0.1 μm		0.5 μm		1.0 μm	
Non-linearity	0.1%(at the $\pm 1.0\text{mm}$)		0.1%(at the $\pm 3.0\text{mm}$)		0.3%(at the $\pm 8.0\text{mm}$)	
Measuring Force	4~90g		30~80g		Dependent on the air pressure	180g
Cable length	2.2m		3m			
External diameter	$\varnothing 8\text{mm}$					$\varnothing 15\text{mm}$
Mass(except cable unit)	Approx. 17g	Approx. 22g	Approx. 20g	Approx. 26g	Approx. 31g	Approx. 145g
Operating temp	0~40°C					

> DIMENSIONS



LVDT

> Model DP-S4, DP-10, DP-25

> PROBE TIPS

DT - F [Steel $\phi 4$]

DT - F [Steel $\phi 5$]

DT - F [Steel $\phi 8$]

DT - L [steel]

DT - G [carbide]

Bushing

DT - B DT - B Steel
DT - BR Ruby
DT - BC Carbide
DT - BP Plastic

DT - P L = 7mm
= 16mm
= 26mm
= 36mm

> APPLICATIONS

