

Gear Shifting Lever Load Cell

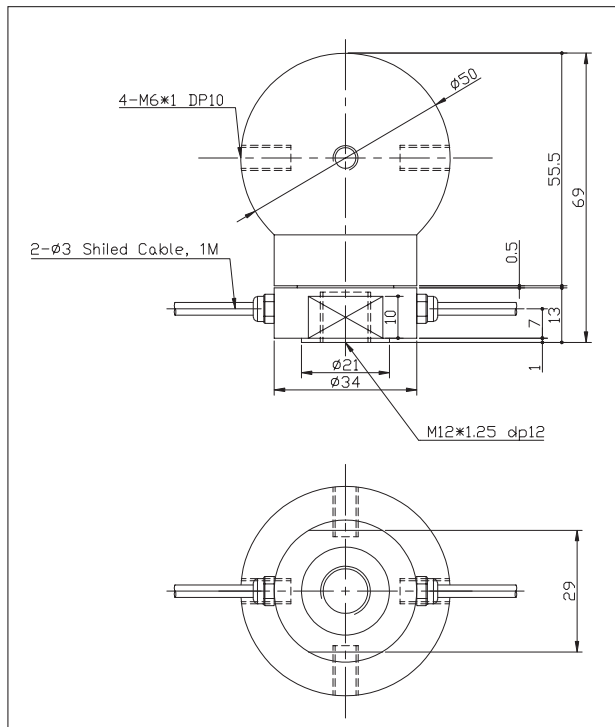
>Model CS201-500N

This can measure X and Y force of Gear shifting lever.



>DIMENSIONS

unit:mm



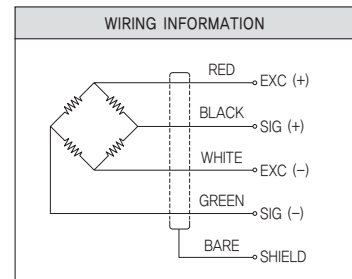
>SPECIFICATIONS

Specifications	Accuracy
Rated capacity(R.C)	500N
Rated output(R.O)	1.5mV/V±1%
Nonlinearity	0.1% R.O.
Hysteresis	0.1% R.O.
Repeatability	0.05% R.O.
Temperature range, compensated	-10°C ~ 40°C
Temperature range, safe	-20°C ~ 60°C
Temperature effect, on rated output	±0.02% of LOAD/10°C
Temperature effect, on zero balance	±0.02% of R.O./10°C
Terminal resistance input	350Ω ±30
Terminal resistance output	350Ω ±2
Insulation resistance bridge	2000MΩ
Excitation recommended	10V
Cable length	Ø3mm, 4Core, 1m

★Specifications are subject to change without notice.

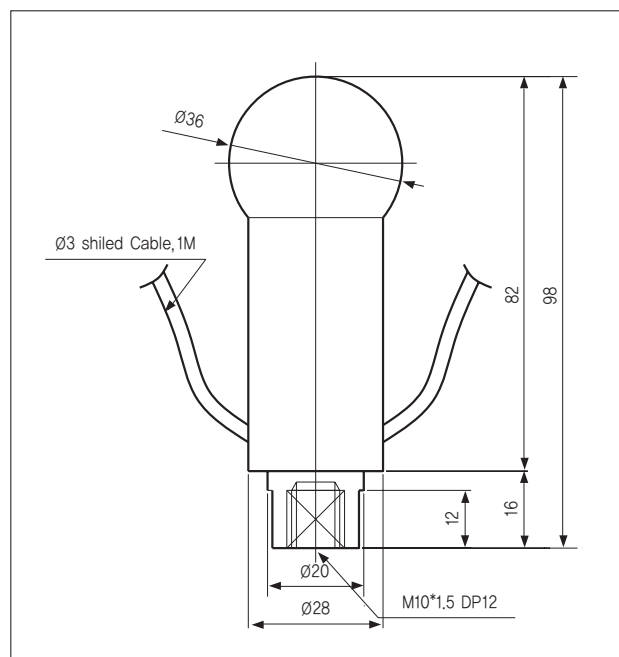
>Model CS142

This can measure X and Y force of Gear shifting lever.



>DIMENSIONS

unit:mm



>SPECIFICATIONS

Specifications	Accuracy
Model	CS142-500N
Rated capacity (R.C.)	500N
Rated output (R.O.)	1mV/V±1%
Nonlinearity	1% R.O.
Hysteresis	1% R.O.
Resistance, input / output	350Ω ±1%
Safe overload	120% R.C.